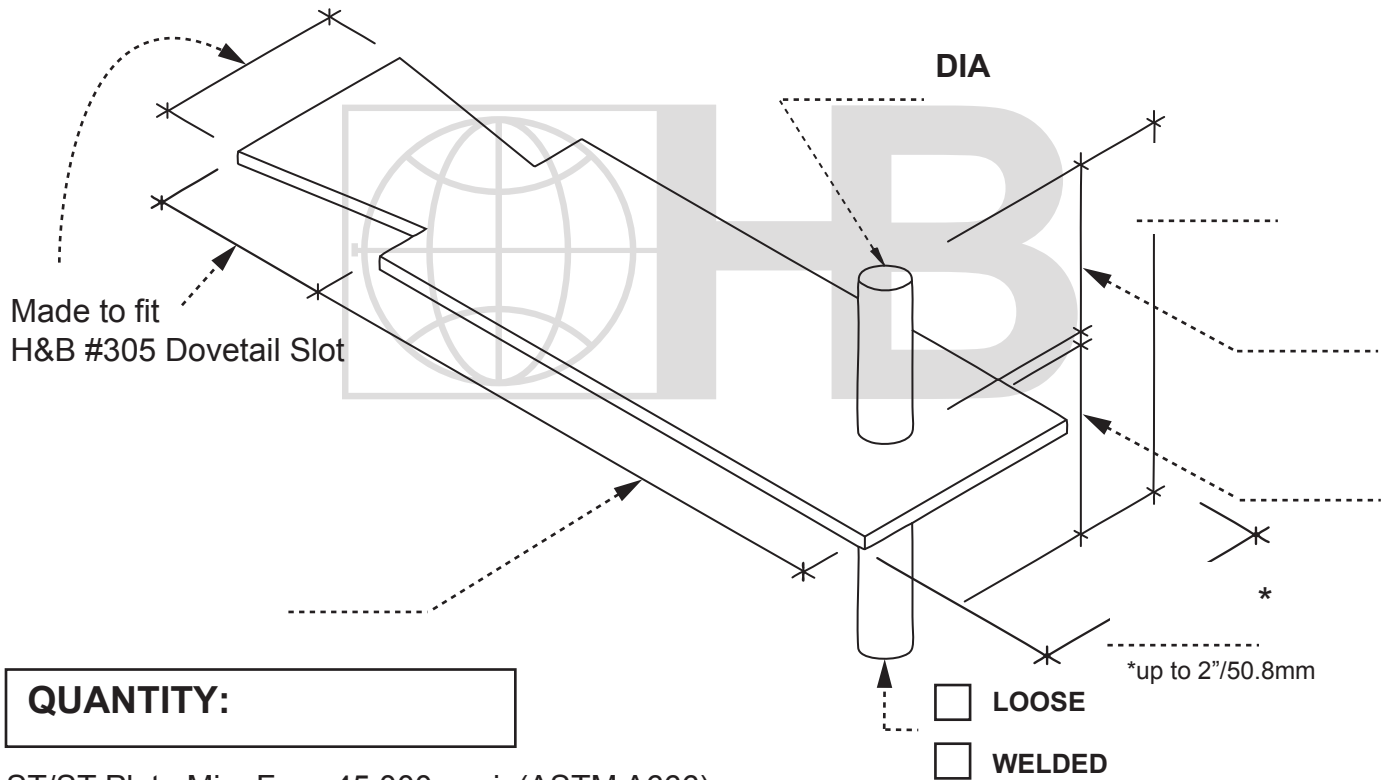


STAINLESS STEEL STONE ANCHORS #309 STONE ANCHOR



QUANTITY:

ST/ST Plate Min. Fy. = 45,000 p.s.i. (ASTM A666)
ST/ST Rounds Min. Fy. = 75,000 p.s.i. (ASTM A580/A580M)

DRAWINGS FOR ILLUSTRATIVE PURPOSES ONLY

FINISH:

- TYPE 304 Stainless Steel
 TYPE 316 Stainless Steel

THICKNESS:

- 12 ga./2.78 mm 3/16"/4.7 mm
 1/8"/3.2 mm 1/4"/6.3 mm OTHER _____

H&B recommends the exclusive use of 304 or 316 ST/ST for stone anchorage.

PROJECT NAME:
LOCATION:
NOTES:

CONTACT INFO

Name :
Company:
Phone: **FAX:**
Email:

The appropriate selection and use of any product contained herein must be determined by competent architects, engineers and other professionals who are familiar with the specific requirements of the project.