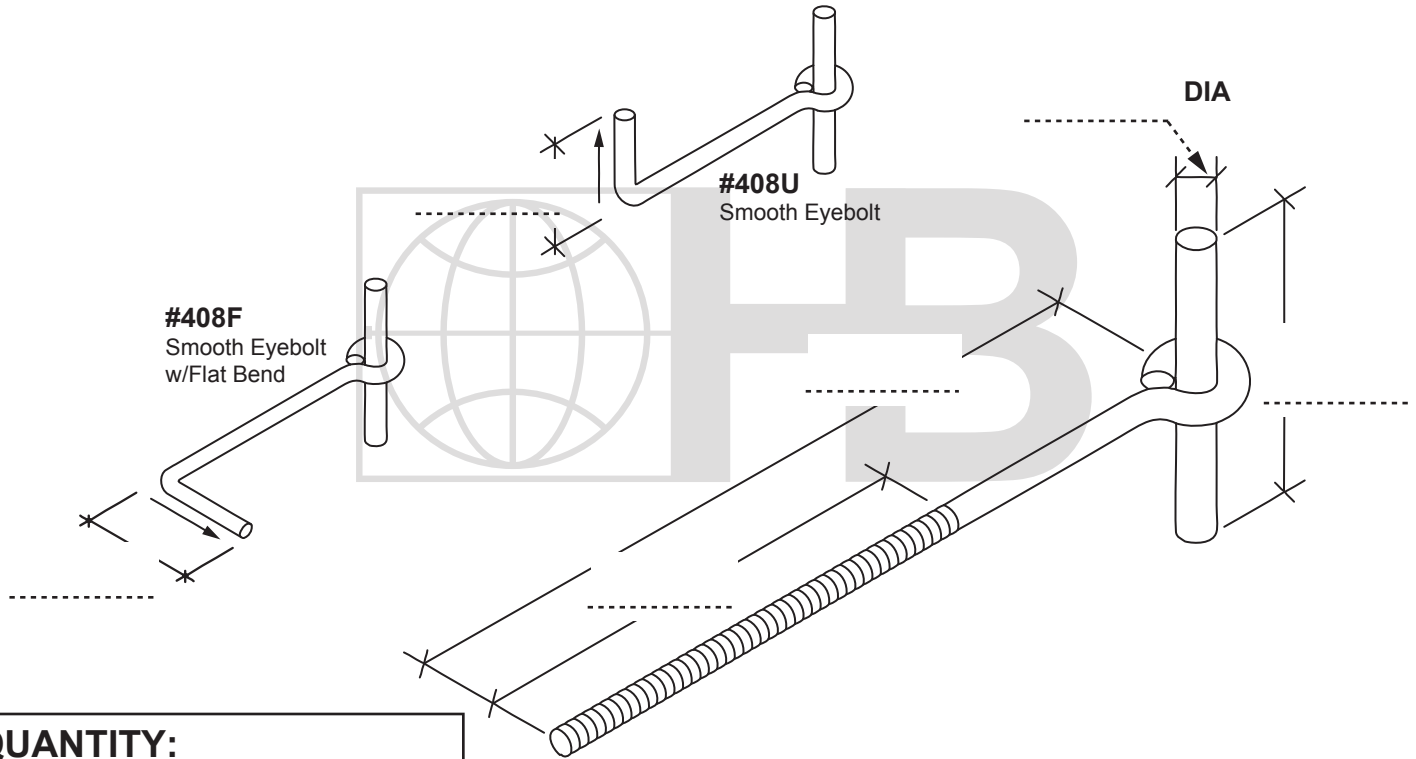


STAINLESS STEEL STONE ANCHORS

#408 STONE ANCHOR



QUANTITY:

ST/ST Rounds Min. Fy. = 75,000 p.s.i. (ASTM A580/A580M)

DRAWINGS FOR ILLUSTRATIVE PURPOSES ONLY

FINISH:		THICKNESS:	
<input type="checkbox"/> TYPE 304 Stainless Steel	<input type="checkbox"/> TYPE 316 Stainless Steel	<input type="checkbox"/> 1/4"/6.3 mm EYEBOLT	<input type="checkbox"/> 1/2"/12.7 mm EYEBOLT
<input type="checkbox"/> TYPE 304 Stainless Steel	<input type="checkbox"/> TYPE 316 Stainless Steel	<input type="checkbox"/> 3/8"/9.5 mm EYEBOLT	<input type="checkbox"/> OTHER _____

H&B recommends the exclusive use of 304 or 316 ST/ST for stone anchorage.

PROJECT NAME:	CONTACT INFO
LOCATION:	Name :
NOTES:	Company:
	Phone: FAX:
	Email:

The appropriate selection and use of any product contained herein must be determined by competent architects, engineers and other professionals who are familiar with the specific requirements of the project.