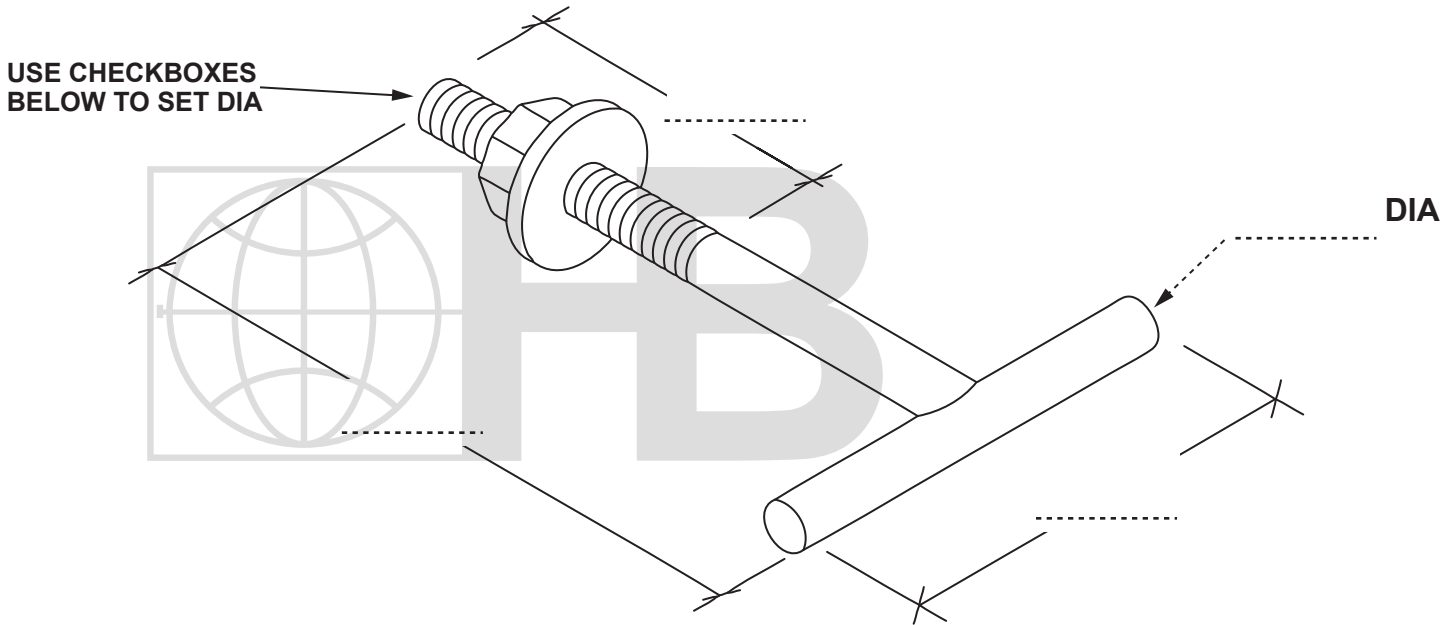


# STAINLESS STEEL STONE ANCHORS

## #423 STONE ANCHOR



**QUANTITY:**

ST/ST Rounds Min. Fy. = 75,000 p.s.i. (ASTM A580/A580M)

DRAWINGS FOR ILLUSTRATIVE PURPOSES ONLY

|                                                   |                                                   |                                       |                                       |                                       |
|---------------------------------------------------|---------------------------------------------------|---------------------------------------|---------------------------------------|---------------------------------------|
| <b>FINISH:</b>                                    |                                                   | <b>ROD DIAMETER:</b>                  |                                       |                                       |
| <input type="checkbox"/> TYPE 304 Stainless Steel | <input type="checkbox"/> TYPE 316 Stainless Steel | <input type="checkbox"/> 1/4"/6.3 mm  | <input type="checkbox"/> 3/8"/9.5 mm  | <input type="checkbox"/> 5/8"/15.8 mm |
|                                                   |                                                   | <input type="checkbox"/> 5/16"/7.9 mm | <input type="checkbox"/> 1/2"/12.7 mm | <input type="checkbox"/> OTHER _____  |

H&B recommends the exclusive use of 304 or 316 ST/ST for stone anchorage.

|                      |                                  |
|----------------------|----------------------------------|
| <b>PROJECT NAME:</b> | <b>CONTACT INFO</b>              |
| <b>LOCATION:</b>     | Name :                           |
| <b>NOTES:</b>        | Company:                         |
|                      | Phone:                      FAX: |
|                      | Email:                           |

The appropriate selection and use of any product contained herein must be determined by competent architects, engineers and other professionals who are familiar with the specific requirements of the project.