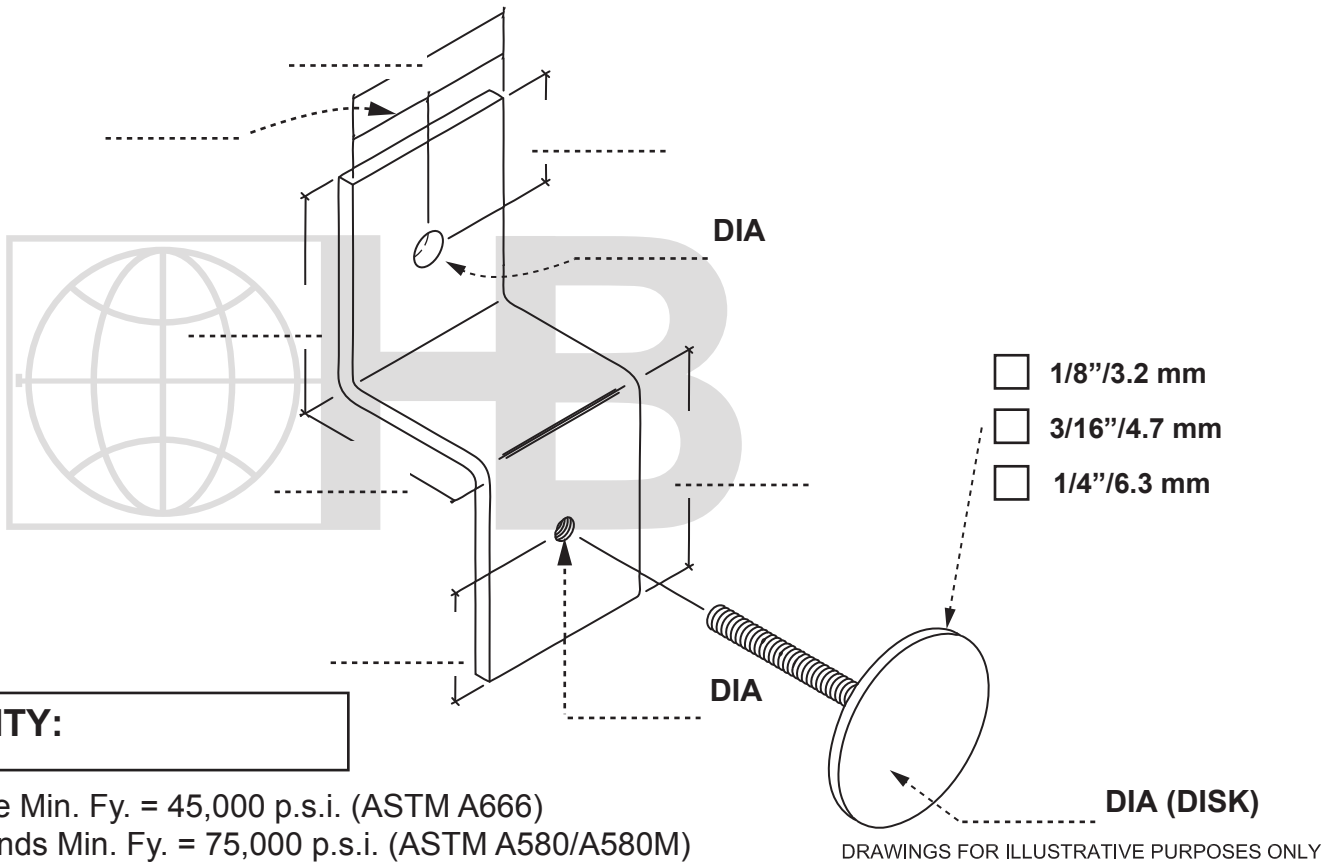


**STAINLESS STEEL STONE ANCHORS**  
**#429 ROTITE STONE ANCHOR**



**QUANTITY:**

ST/ST Plate Min. Fy. = 45,000 p.s.i. (ASTM A666)  
 ST/ST Rounds Min. Fy. = 75,000 p.s.i. (ASTM A580/A580M)

<b>FINISH:</b>	<b>THICKNESS:</b>
<input type="checkbox"/> TYPE 304 Stainless Steel <input type="checkbox"/> TYPE 316 Stainless Steel	<input type="checkbox"/> 12 ga./2.78 mm <input type="checkbox"/> 3/16\"/>
H&B recommends the exclusive use of 304 or 316 ST/ST for stone anchorage.	

<b>PROJECT NAME:</b>	<b>CONTACT INFO</b>
<b>LOCATION:</b>	Name :
<b>NOTES:</b>	Company:
	Phone:                      FAX:
	Email:

The appropriate selection and use of any product contained herein must be determined by competent architects, engineers and other professionals who are familiar with the specific requirements of the project.