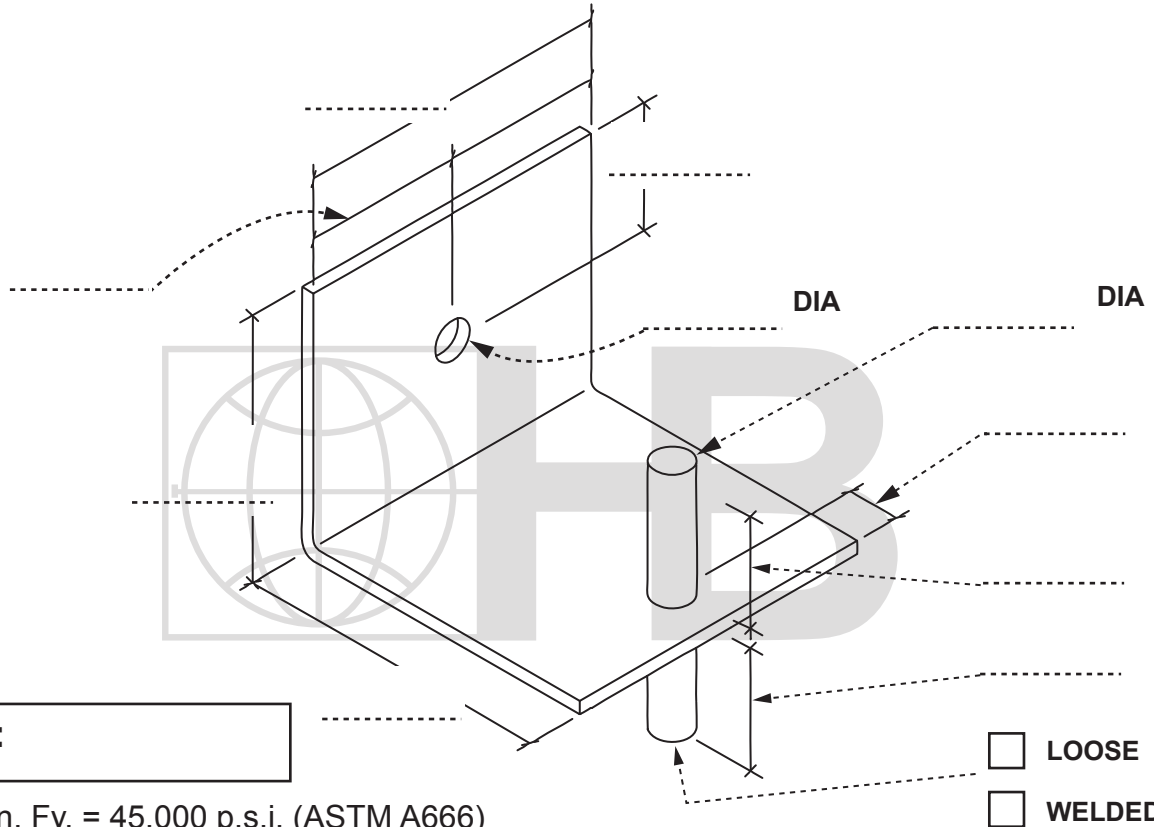


STAINLESS STEEL STONE ANCHORS #433 STONE ANCHOR



QUANTITY:

ST/ST Plate Min. Fy. = 45,000 p.s.i. (ASTM A666)
 ST/ST Rounds Min. Fy. = 75,000 p.s.i. (ASTM A580/A580M)

DRAWINGS FOR ILLUSTRATIVE PURPOSES ONLY

FINISH: <input type="checkbox"/> TYPE 304 Stainless Steel <input type="checkbox"/> TYPE 316 Stainless Steel		THICKNESS: <input type="checkbox"/> 12 ga./2.78 mm <input type="checkbox"/> 3/16"/4.7 mm <input type="checkbox"/> 3/8"/9.5 mm <input type="checkbox"/> 1/8"/3.2 mm <input type="checkbox"/> 1/4"/6.3 mm <input type="checkbox"/> OTHER _____		
H&B recommends the exclusive use of 304 or 316 ST/ST for stone anchorage.				

PROJECT NAME: LOCATION: NOTES:	CONTACT INFO Name : Company: Phone: FAX: Email:
---	---

The appropriate selection and use of any product contained herein must be determined by competent architects, engineers and other professionals who are familiar with the specific requirements of the project.