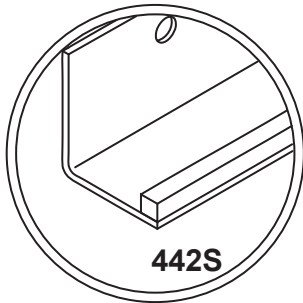


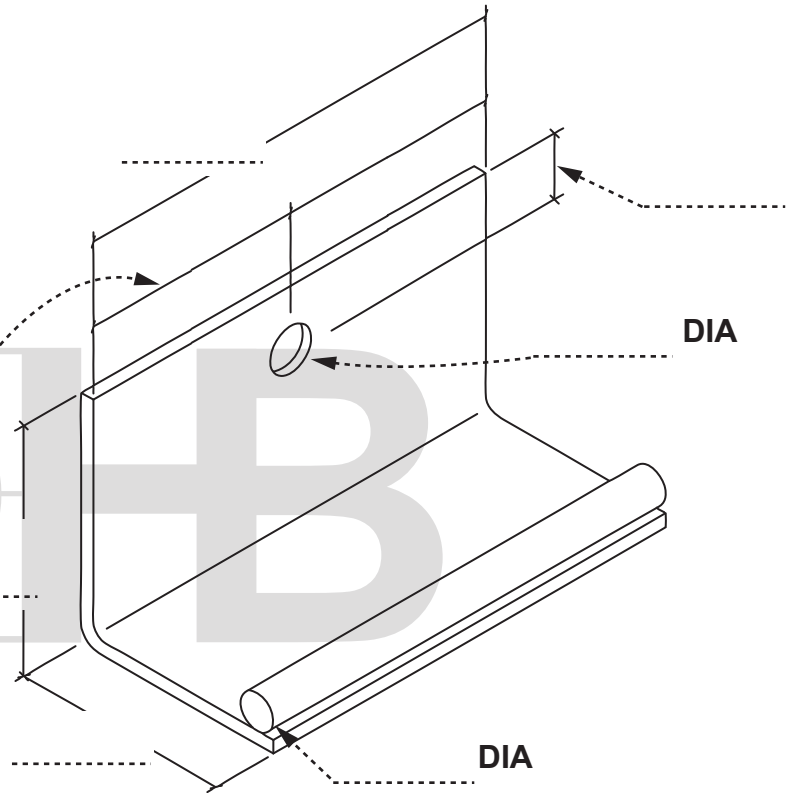
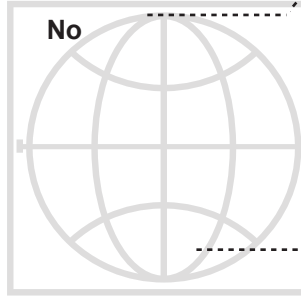
# STAINLESS STEEL STONE ANCHORS #442 STONE ANCHOR



Specify 442S

Yes

No



**QUANTITY:**

ST/ST Plate Min. Fy. = 45,000 p.s.i. (ASTM A666)  
 ST/ST Rounds Min. Fy. = 75,000 p.s.i. (ASTM A580/A580M)

DRAWINGS FOR ILLUSTRATIVE PURPOSES ONLY

<p><b>FINISH:</b></p> <p><input type="checkbox"/> TYPE 304 Stainless Steel</p> <p><input type="checkbox"/> TYPE 316 Stainless Steel</p>	<p><b>THICKNESS:</b></p> <table style="width: 100%;"> <tr> <td><input type="checkbox"/> 12 ga./2.78 mm</td> <td><input type="checkbox"/> 3/16"/4.7 mm</td> <td><input type="checkbox"/> 3/8"/9.5 mm</td> </tr> <tr> <td><input type="checkbox"/> 1/8"/3.2 mm</td> <td><input type="checkbox"/> 1/4"/6.3 mm</td> <td><input type="checkbox"/> OTHER _____</td> </tr> </table>	<input type="checkbox"/> 12 ga./2.78 mm	<input type="checkbox"/> 3/16"/4.7 mm	<input type="checkbox"/> 3/8"/9.5 mm	<input type="checkbox"/> 1/8"/3.2 mm	<input type="checkbox"/> 1/4"/6.3 mm	<input type="checkbox"/> OTHER _____
<input type="checkbox"/> 12 ga./2.78 mm	<input type="checkbox"/> 3/16"/4.7 mm	<input type="checkbox"/> 3/8"/9.5 mm					
<input type="checkbox"/> 1/8"/3.2 mm	<input type="checkbox"/> 1/4"/6.3 mm	<input type="checkbox"/> OTHER _____					

H&B recommends the exclusive use of 304 or 316 ST/ST for stone anchorage.

<p><b>PROJECT NAME:</b></p> <p><b>LOCATION:</b></p> <p><b>NOTES:</b></p>	<p><b>CONTACT INFO</b></p> <p><b>Name :</b></p> <p><b>Company:</b></p> <p><b>Phone:</b> <span style="float: right;"><b>FAX:</b></span></p> <p><b>Email:</b></p>
--	---

The appropriate selection and use of any product contained herein must be determined by competent architects, engineers and other professionals who are familiar with the specific requirements of the project.