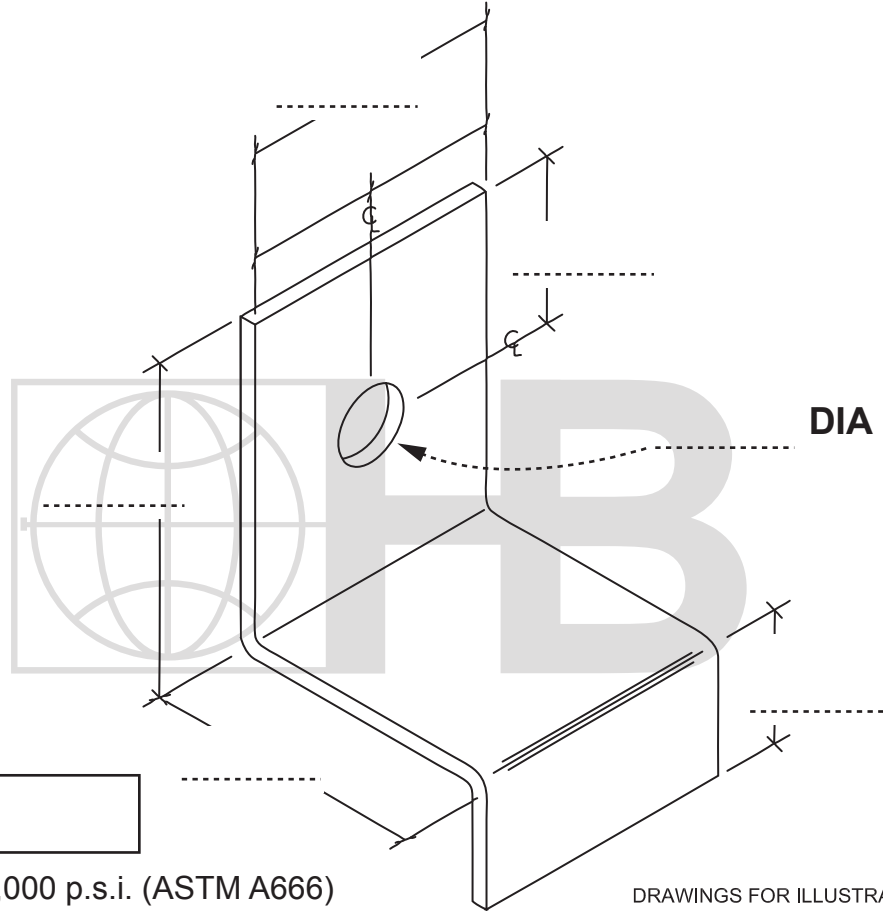


**STAINLESS STEEL STONE ANCHORS**  
**#444 STONE ANCHOR**



**QUANTITY:**

ST/ST Plate Min. Fy. = 45,000 p.s.i. (ASTM A666)

DRAWINGS FOR ILLUSTRATIVE PURPOSES ONLY

**FINISH:**

- TYPE 304 Stainless Steel
- TYPE 316 Stainless Steel

**THICKNESS:**

- 12 ga./2.78 mm
- 3/16"/4.7 mm
- 3/8"/9.5 mm
- 1/8"/3.2 mm
- 1/4"/6.3 mm
- OTHER \_\_\_\_\_

H&B recommends the exclusive use of 304 or 316 ST/ST for stone anchorage.

<p><b>PROJECT NAME:</b></p> <p><b>LOCATION:</b></p> <p><b>NOTES:</b></p>	<p><b>CONTACT INFO</b></p> <p><b>Name :</b></p> <p><b>Company:</b></p> <p><b>Phone:</b> <span style="float: right;"><b>FAX:</b></span></p> <p><b>Email:</b></p>
--	---

The appropriate selection and use of any product contained herein must be determined by competent architects, engineers and other professionals who are familiar with the specific requirements of the project.