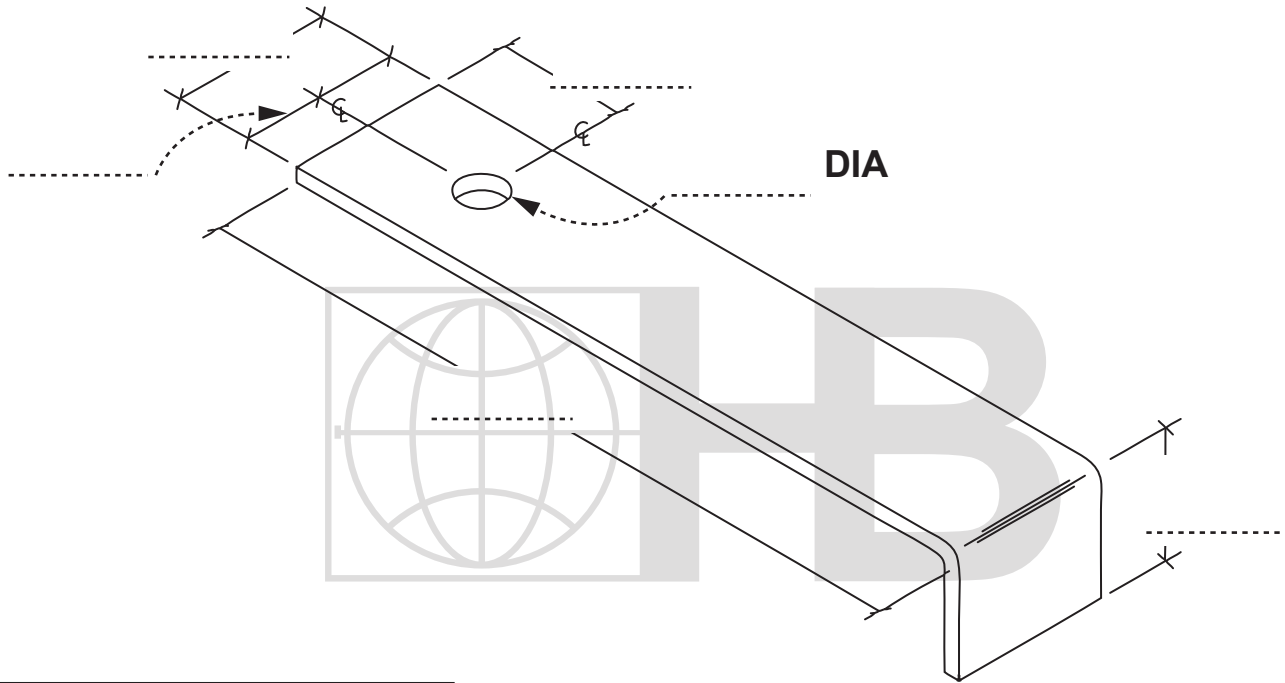


# STAINLESS STEEL STONE ANCHORS #450 STONE ANCHOR



**QUANTITY:**

ST/ST Plate Min. Fy. = 45,000 p.s.i. (ASTM A666)

DRAWINGS FOR ILLUSTRATIVE PURPOSES ONLY

|   |   |   |                                       |                                      |
|---|---|---|---------------------------------------|--------------------------------------|
| <b>FINISH:</b>  |   | <b>THICKNESS:</b>                       |                                       |                                      |
| <input type="checkbox"/> TYPE 304 Stainless Steel                         | <input type="checkbox"/> TYPE 316 Stainless Steel | <input type="checkbox"/> 12 ga./2.78 mm | <input type="checkbox"/> 3/16"/4.7 mm | <input type="checkbox"/> 3/8"/9.5 mm |
|   |   | <input type="checkbox"/> 1/8"/3.2 mm    | <input type="checkbox"/> 1/4"/6.3 mm  | <input type="checkbox"/> OTHER _____ |
| H&B recommends the exclusive use of 304 or 316 ST/ST for stone anchorage. |   |   |                                       |                                      |

|                      |                                  |
|----------------------|----------------------------------|
| <b>PROJECT NAME:</b> | <b>CONTACT INFO</b>              |
| <b>LOCATION:</b>     | Name :                           |
| <b>NOTES:</b>        | Company:                         |
|                      | Phone:                      FAX: |
|                      | Email:                           |

The appropriate selection and use of any product contained herein must be determined by competent architects, engineers and other professionals who are familiar with the specific requirements of the project.