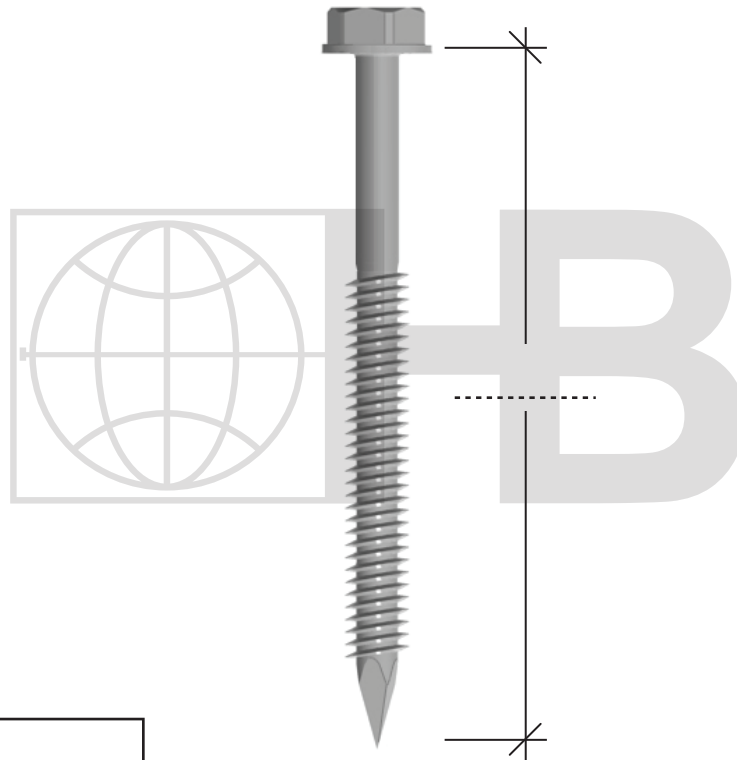


STAINLESS STEEL STONE ANCHORS
CONCRETE SCREW



QUANTITY:

DRAWINGS FOR ILLUSTRATIVE PURPOSES ONLY

FINISH:		THICKNESS:	
<input type="checkbox"/> TYPE 304 Stainless Steel	<input type="checkbox"/> Zinc Plated	<input type="checkbox"/> 3/16"/4.7 mm	<input type="checkbox"/> 3/8"/9.5 mm
<input type="checkbox"/> TYPE 410 Stainless Steel	<input type="checkbox"/> Polymer Coated	<input type="checkbox"/> 1/4"/6.3 mm	
Furnished in Type 304 ST/ST, 410 ST/ST Zinc Plated and Polymer Coated.			

PROJECT NAME:	CONTACT INFO
LOCATION:	Name :
NOTES:	Company:
	Phone: FAX:
	Email:

The appropriate selection and use of any product contained herein must be determined by competent architects, engineers and other professionals who are familiar with the specific requirements of the project.