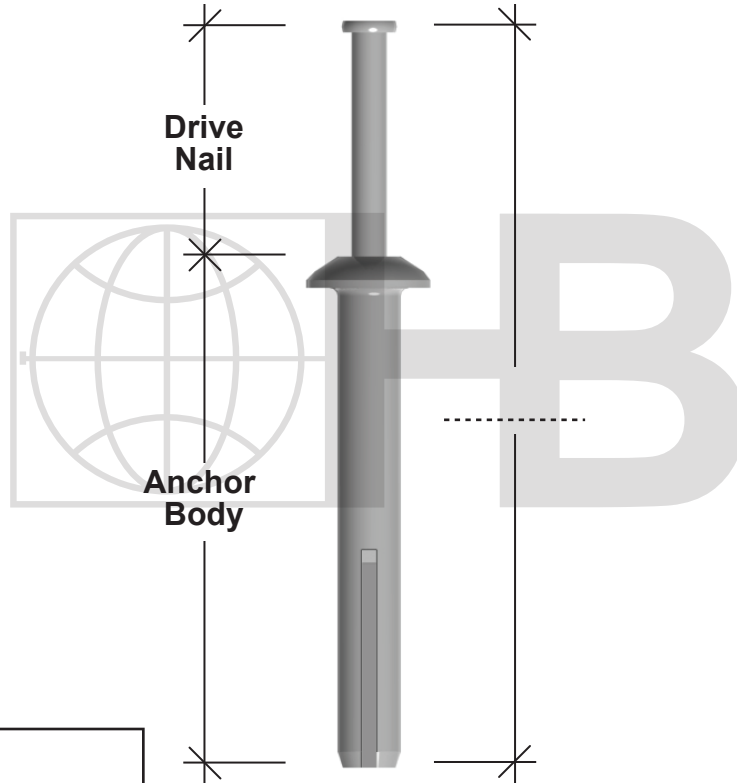


STAINLESS STEEL STONE ANCHORS NAIL-IN EXPANSION ANCHOR



QUANTITY:

DRAWINGS FOR ILLUSTRATIVE PURPOSES ONLY

<p>FINISH (DRIVE NAIL):</p> <p><input type="checkbox"/> TYPE 304 Stainless Steel</p> <p><input type="checkbox"/> Carbon Steel</p>	<p>THICKNESS:</p> <p><input type="checkbox"/> 3/16"/4.7 mm</p> <p><input type="checkbox"/> 1/4"/6.3 mm</p>
<p>Drive Nail furnished in Type 304 ST/ST, or Carbon Steel. Anchor Body is Zamac Alloy.</p>	

<p>PROJECT NAME:</p> <p>LOCATION:</p> <p>NOTES:</p>	<p>CONTACT INFO</p> <p>Name :</p> <p>Company:</p> <p>Phone: FAX:</p> <p>Email:</p>
--	---

The appropriate selection and use of any product contained herein must be determined by competent architects, engineers and other professionals who are familiar with the specific requirements of the project.