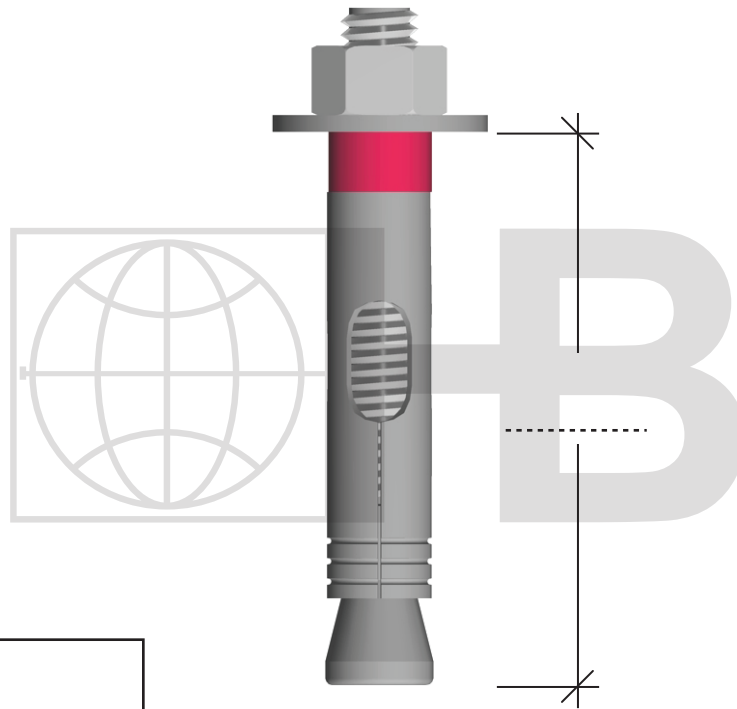


# STAINLESS STEEL STONE ANCHORS SLEEVE EXPANSION BOLT



**QUANTITY:**

ST/ST Plate Min. Fy. = 45,000 p.s.i. (ASTM A666)  
 ST/ST Rounds Min. Fy. = 75,000 p.s.i. (ASTM A580/A580M)

DRAWINGS FOR ILLUSTRATIVE PURPOSES ONLY

<b>FINISH:</b>		<b>THICKNESS:</b>		
<input type="checkbox"/> TYPE 304 Stainless Steel	<input type="checkbox"/> TYPE 316 Stainless Steel	<input type="checkbox"/> 5/16"/7.9 mm	<input type="checkbox"/> 1/2"/12.7 mm	<input type="checkbox"/> 3/4"/19 mm
<input type="checkbox"/> Zinc Mechanical Galvanized		<input type="checkbox"/> 3/8"/9.5 mm	<input type="checkbox"/> 5/8"/15.8 mm	<input type="checkbox"/> OTHER _____
Furnished in Type 304 ST/ST, 316 ST/ST, or Zinc Mechanical Galvanized.				

<b>PROJECT NAME:</b>	<b>CONTACT INFO</b>
<b>LOCATION:</b>	Name :
<b>NOTES:</b>	Company:
	Phone:                      FAX:
	Email:

The appropriate selection and use of any product contained herein must be determined by competent architects, engineers and other professionals who are familiar with the specific requirements of the project.