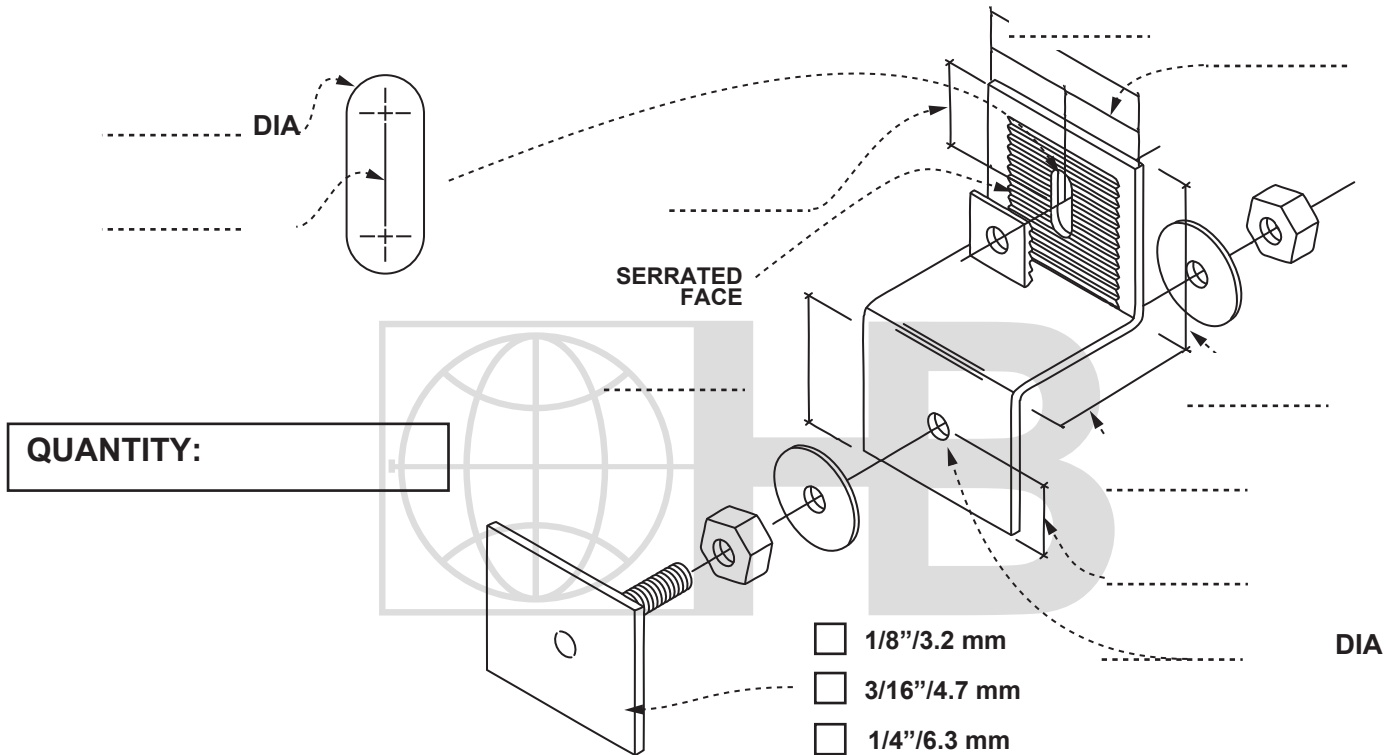


# STAINLESS STEEL STONE ANCHORS

## SRX-16 STONE ANCHOR



ST/ST Plate Min. Fy. = 45,000 p.s.i. (ASTM A666)

ST/ST Rounds Min. Fy. = 75,000 p.s.i. (ASTM A580)

DRAWINGS FOR ILLUSTRATIVE PURPOSES ONLY

**FINISH:**

- TYPE 304 Stainless Steel
- TYPE 316 Stainless Steel

**THICKNESS:**

Please see srx-10, srx-11, and srx-12 for individual requirements.

H&B recommends the exclusive use of 304 or 316 ST/ST for stone anchorage.

**PROJECT NAME:**

**LOCATION:**

**NOTES:**

**CONTACT INFO**

**Name :**

**Company:**

**Phone:**

**FAX:**

**Email:**

The appropriate selection and use of any product contained herein must be determined by competent architects, engineers and other professionals who are familiar with the specific requirements of the project.