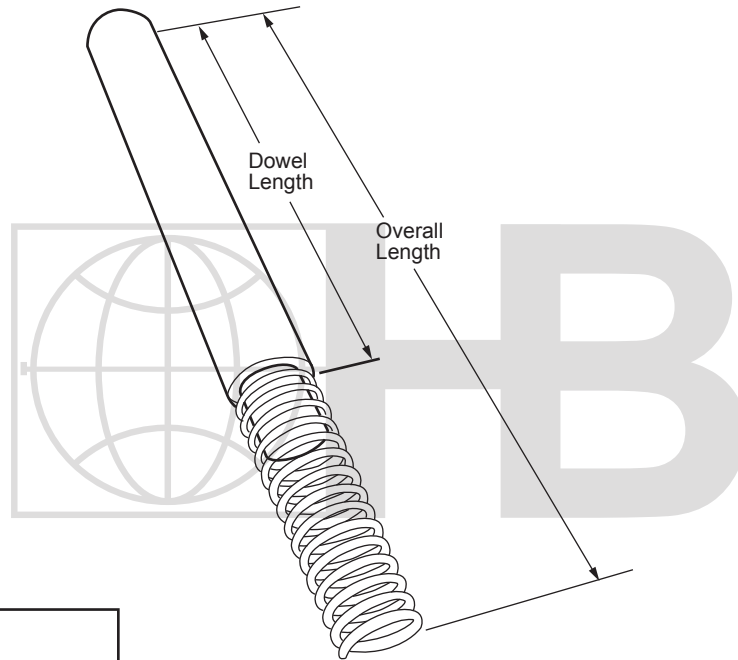


STAINLESS STEEL STONE ANCHORS
#ST-30 STONE ANCHOR



QUANTITY:

ST/ST Rounds Min. Fy. = 75,000 p.s.i. (ASTM A276/A276M)

DRAWINGS FOR ILLUSTRATIVE PURPOSES ONLY

<p>FINISH:</p> <p><input type="checkbox"/> TYPE 304 Stainless Steel</p> <p><input type="checkbox"/> TYPE 316 Stainless Steel</p>	<p>DOWEL LENGTH:</p> <p><input type="checkbox"/> 1" <input type="checkbox"/> 2" <input type="checkbox"/> 3" <input type="checkbox"/> 4" <input type="checkbox"/> 5" <input type="checkbox"/> OTHER _____</p> <p>SPRING LENGTH:</p> <p><input type="checkbox"/> 1" <input type="checkbox"/> 2" <input type="checkbox"/> 3" <input type="checkbox"/> 4" <input type="checkbox"/> 5" <input type="checkbox"/> OTHER _____</p> <p>DOWEL DIAMETER:</p> <p><input type="checkbox"/> 1/2" <input type="checkbox"/> 3/8" <input type="checkbox"/> 5/8" <input type="checkbox"/> 3/4" <input type="checkbox"/> OTHER _____</p>
---	--

H&B recommends the exclusive use of 304 or 316 ST/ST for stone anchorage.

<p>PROJECT NAME:</p> <p>LOCATION:</p> <p>NOTES:</p>	<p>CONTACT INFO</p> <p>Name :</p> <p>Company:</p> <p>Phone: FAX:</p> <p>Email:</p>
--	--

The appropriate selection and use of any product contained herein must be determined by competent architects, engineers and other professionals who are familiar with the specific requirements of the project.