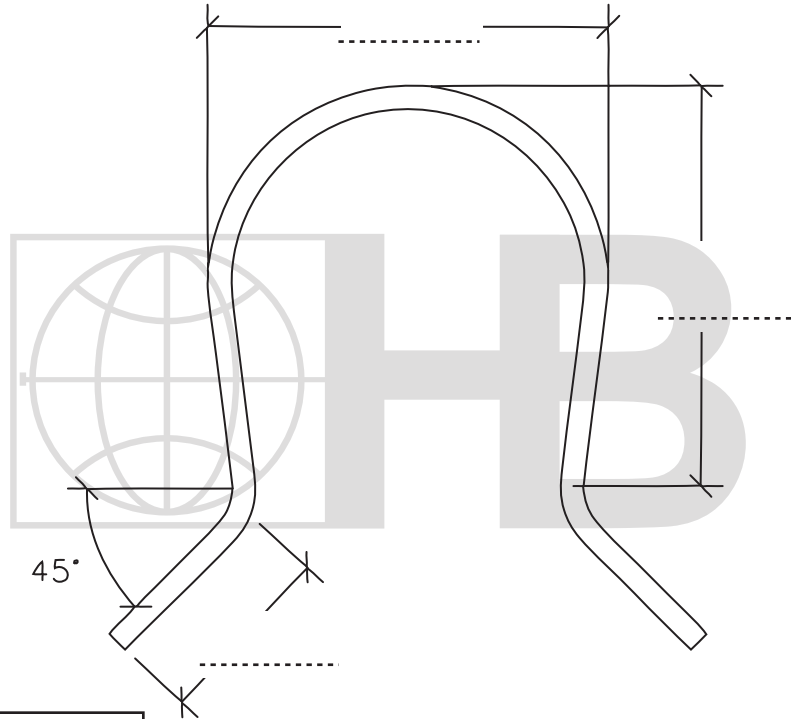


# STAINLESS STEEL STONE ANCHORS

## #514 STONE ANCHOR



**QUANTITY:**

ST/ST Plate Min. Fy. = 100,000 p.s.i. (SPRING STEEL)

DRAWINGS FOR ILLUSTRATIVE PURPOSES ONLY

<p><b>FINISH:</b></p> <p><input type="checkbox"/> TYPE 304 Stainless Steel</p>	<p><b>THICKNESS:</b></p> <p><input type="checkbox"/> 3/16"/4.7 mm</p> <p><input type="checkbox"/> 1/4"/6.3 mm</p>	<p><b>OPTION:</b></p> <p><input type="checkbox"/> STANDARD</p> <p><input type="checkbox"/> CUSTOM</p>
<p>Furnished in Type 304 Stainless Steel.</p>		

<p><b>PROJECT NAME:</b></p> <p><b>LOCATION:</b></p> <p><b>NOTES:</b></p>	<p><b>CONTACT INFO</b></p> <p><b>Name :</b></p> <p><b>Company:</b></p> <p><b>Phone:</b>                      <b>FAX:</b></p> <p><b>Email:</b></p>
--	---

The appropriate selection and use of any product contained herein must be determined by competent architects, engineers and other professionals who are familiar with the specific requirements of the project.