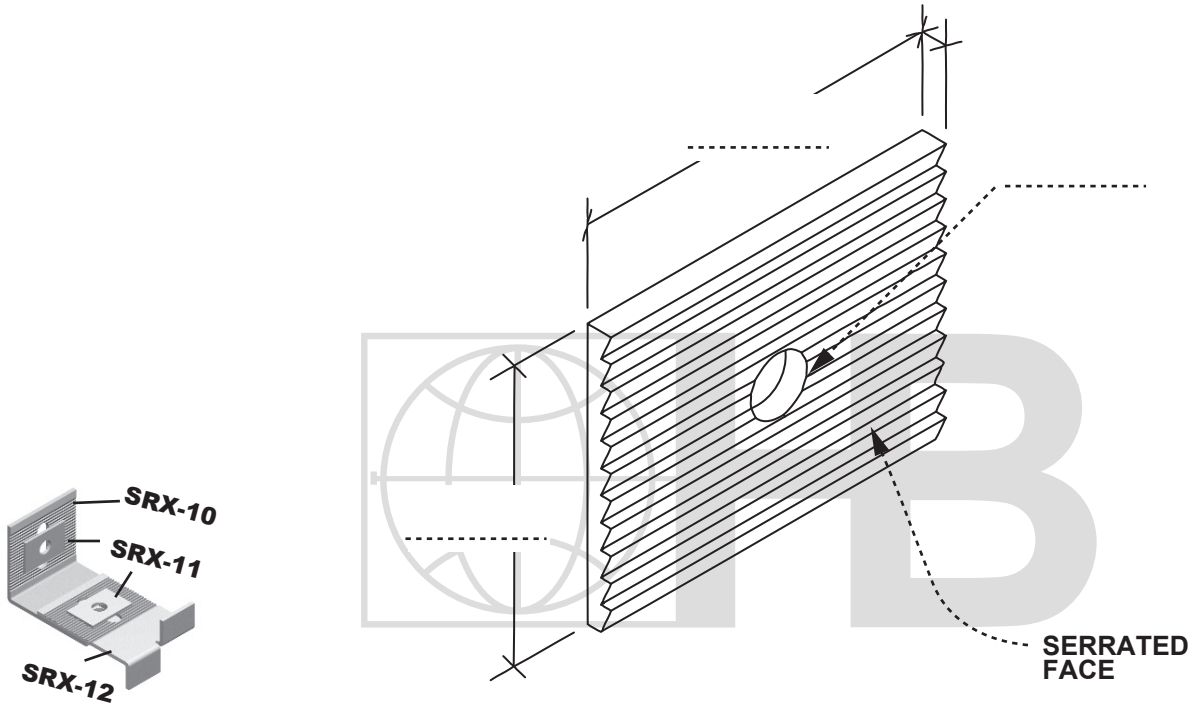


# STAINLESS STEEL STONE ANCHORS

## SRX-11 STONE ANCHOR



**QUANTITY:**

ST/ST Plate Min. Fy. = 45,000 p.s.i. (ASTM A666)

DRAWINGS FOR ILLUSTRATIVE PURPOSES ONLY

**FINISH:**

- TYPE 304 Stainless Steel  
 TYPE 316 Stainless Steel

**THICKNESS:**

- 1/8"/3.2 mm       1/4"/6.3 mm  
 3/16"/4.7 mm       OTHER \_\_\_\_\_

H&B recommends the exclusive use of 304 or 316 ST/ST for stone anchorage.

**PROJECT NAME:**

**LOCATION:**

**NOTES:**

**CONTACT INFO**

**Name :**

**Company:**

**Phone:**

**Email:**

**FAX:**

The appropriate selection and use of any product contained herein must be determined by competent architects, engineers and other professionals who are familiar with the specific requirements of the project.